



SY35U

Flexible and Energy-saving High Quality

Brand new change **QUALITY**
CHANGES THE WORLD
Quality changes the world



Selling Points

● Good Controllability

With matured load sensing system, and debugging technology, the machine possesses excellent controllability.

● Stable & Reliable

With reinforced working device and high-strength slewing platform, the overall performance is more stable and reliable.

● High Efficient & Energy Saving

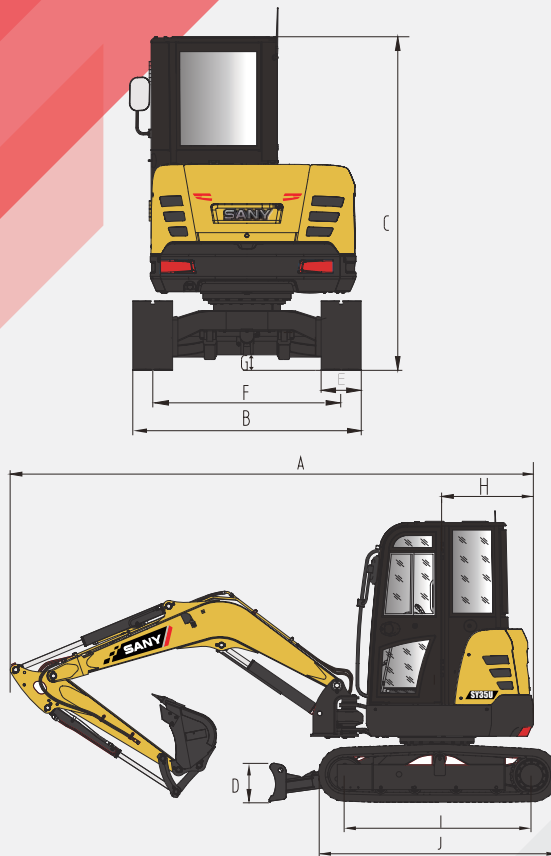
With independently developed intelligent control system, the engine matches with the main pump perfectly, the working efficiency is higher and the fuel consumption is lower.

● Safe & Comfortable

With standard operator cabin, and dual-purpose air conditioner, the operations become safer and more comfortable.

Overall dimensions (mm)

Standard



SY35U

A Overall length (in transportation state)	4915
B Overall width (in transportation state /in operation state)	1720
C Overall height (in transportation state)	2515
D Height of bulldozing plate	350
E Width of standard track shoe	300
F Track gauge (in transportation state / in operation state)	1420
G Minimum ground clearance	295
H Slewing radius of tail	860
I Ground contact length of track	1670
J Track shoe length	2155

Performance parameters

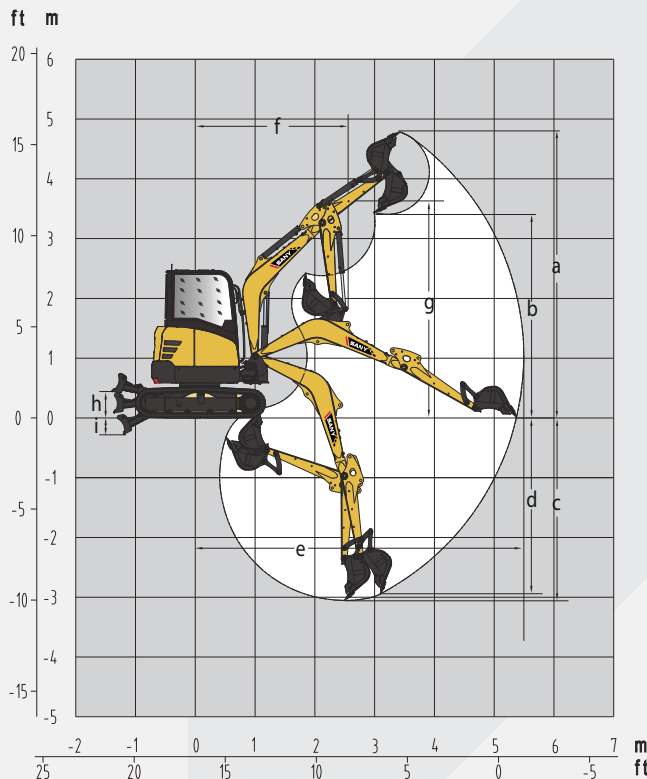
Standard

SY35U

Total weight, kg	3780
Bucket capacity m ³	0.06-0.15(0.12)
Rated power, kW/rpm	20.2/2200
Traveling speed (high/low), km/h	4.4/2.4
Slewing speed, rpm	9
Gradeability	58%
Ground pressure, kPa	32
Digging force of bucket, kN	30.4
Digging force of bucket rod, kN	18.2


Operating range (mm)

Standard



SY35U

a Maximum digging height	4855
b Maximum unloading height	3460
c Maximum digging depth	3105
d Maximum digging depth with vertical boom	2700
e Maximum digging distance	5465
f Minimum slewing radius	2475
g Maximum height at maximum slewing radius	3685
h Maximum ground clearance with bulldozing plate lifted up	375
i Maximum cutting depth of bulldozing plate	370

 SANY Heavy Machinery Co., Ltd.

SANY Industrial Park, Dongcheng Avenue, Kunshan Economic & Technological Development Zone, Jiangsu Province
Post code: 215300

After-sales service hotline: 4008-28-2318

Consulting & complaint hotline: 4008-87-9318

Website: <http://www.sanygroup.com>



Note

The documents and technical specification will be changed without further notice due to continuous technical improvement. The machine in the picture might include additional equipment.

ZJSYX0604CH (August, 2017)

Printed in CHINA